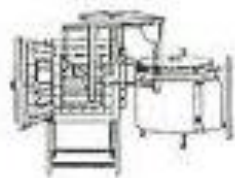
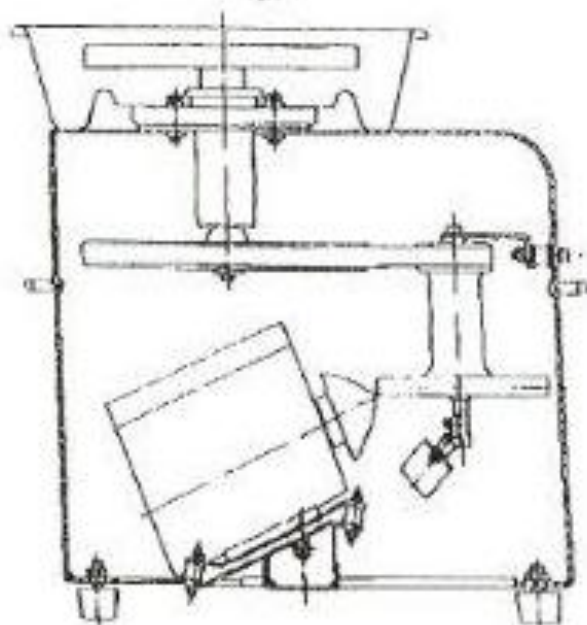


Manual of electric driven pottery disk



TOMA

Keramiekovens

Heuvelstraat 10, 5408 AD Volkel
Heuvels 7b, 5408 AJ Volkel
Telefoon: 04132 - 74530
Fax: 04132 - 74220



1. TECHNICAL DESCRIPTION

1.1 TECHNICAL DATA

Diameter of disk	290 mm
Range of revolution number	0-250 R.P.M.
Sort of current:	115 V, 60 Hz
Power:	1/3 H.P.
Demand on footing area:	530 x 640 mm
Height of disk:	530 mm minimally
Mass:	50 kg

1.2 APPLICABILITY

It is a hobby-machine suitable for processing of hand-formed crockeries as well as of handicraft products.

1.3 SPECIFICATION / Figure 1./

The mechanical units are placed in the carcass, made of steel plates /1/

The actuating is composed of an electromotor /2/ on an infinitely variable friction gear /3/ and of a reducing vee-belt drive /4/.

The archy component friction-cone of the friction gear is mounted on the axis of the electromotor. Through swaying of the electromotor, i.e. with the setting of the handle or the pedal contact the friction-cone communicates with variable diameters with the friction-wheel, hereby the r.p.m. of the friction-wheel is changing.

2. INSTRUCTIONS FOR ESTABLISHING AND HANDLING

2.1 INSTRUCTIONS FOR ESTABLISHING

The electric driven pottery disk can be established in every premises, where the electric network is 115 V, 60 Hz and an earthed wall-socket is available.

The machine is to be regulated horizontally before connecting with the network, with the help of the adjustable rubber-feet. Before connecting with the network we have to ascertain about the "0" - position of the main switch.

2.2 HANDLING INSTRUCTIONS

Before starting-up the electric driven pottery-disk control in any case, that the hand regulator arm is in position I. / figure 2. /

After this the starting of the motor is effected with the electric switch, later the setting of the demanded speed of rotation. By disconnection the sequence is to be turned.

ATTENTION !

Speed-changing is recommended only by a running engine. Otherwise a lasting deterioration can happen to the friction-rubber, as result of an unprofessional handling, for which the guarantee does not concern.

When changing from "0"-position to reverse you have to wait till a motor complete stop.

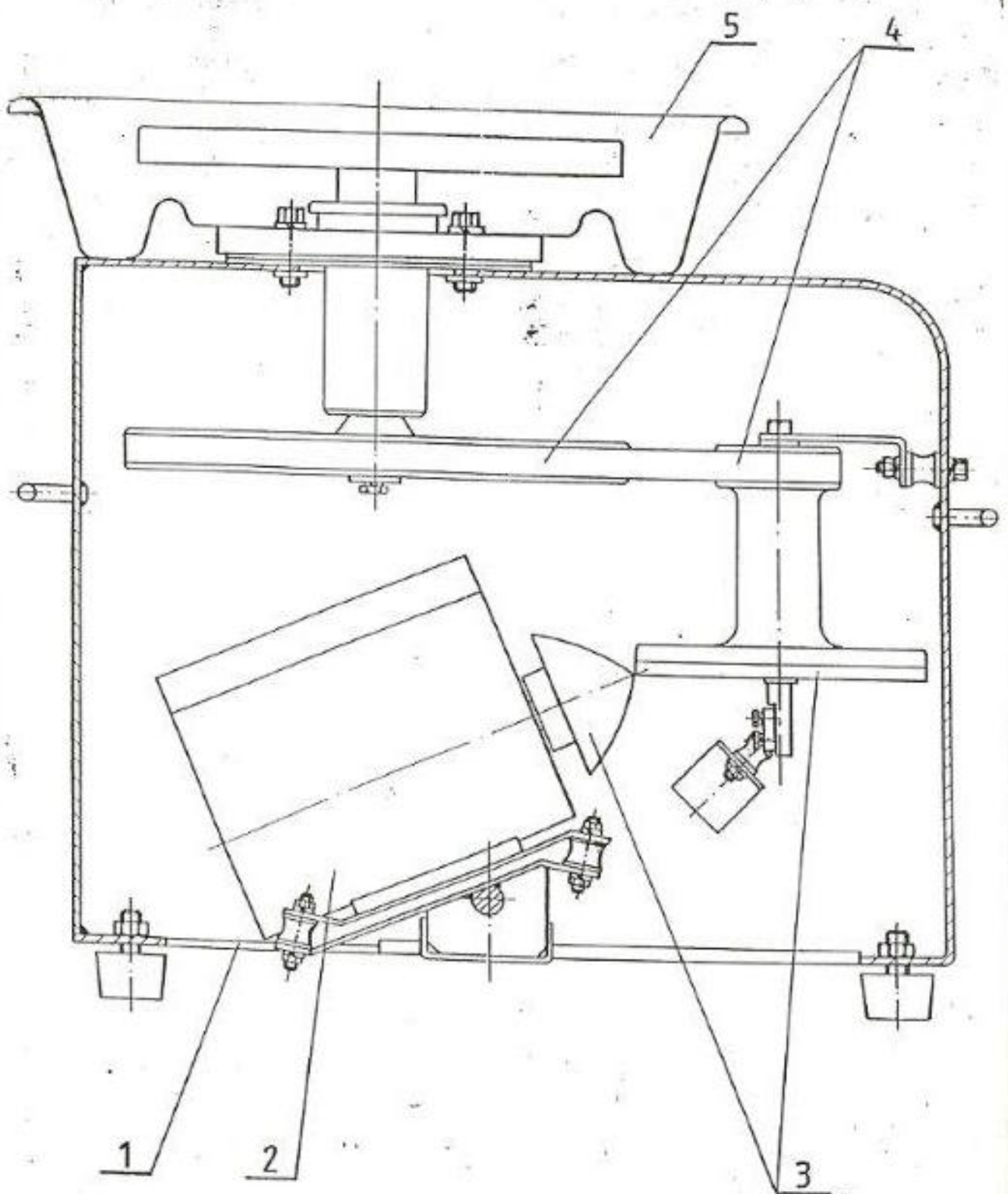
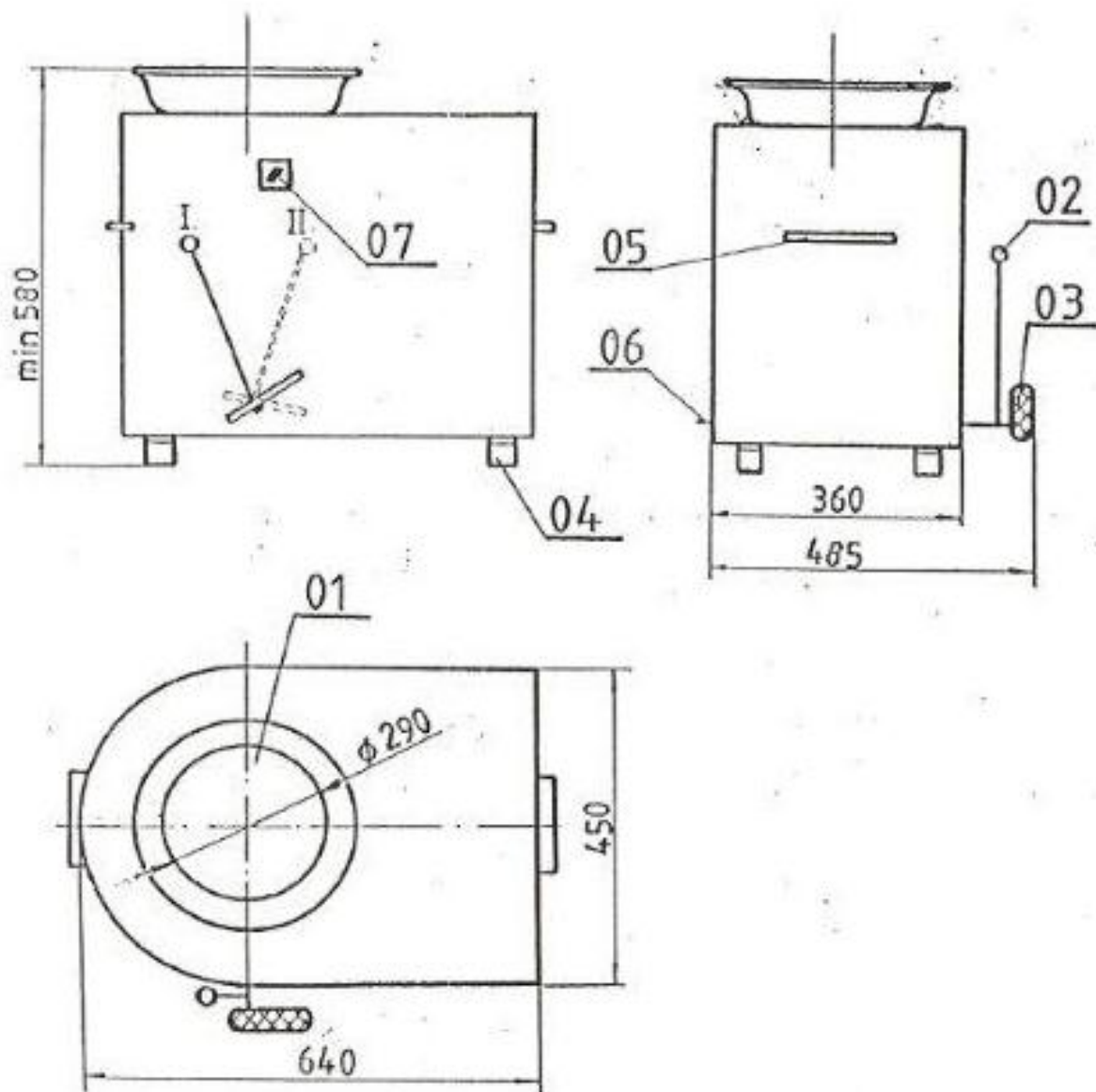


figure 1.



- 01 disc
- 02 manual speed governor
- 03 pedal for speed governing
- 04 Pcs 4 rubber-feet for fine adjustment
- 05 hand-grip
- 06 terminal of connecting cable
- 07 switch KXO 4166 SPEC

Outline of GHK-2 electric driven pottery disk

figure 2.